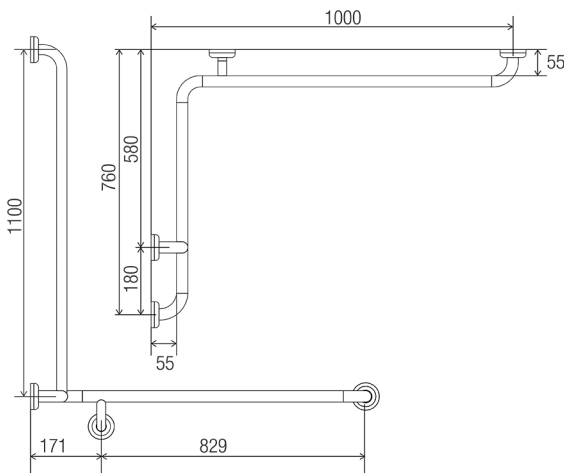


DIMENSIONS



Drawn LH (Left Hand)

INDICATIVE IMAGE



CLAM FLANGE® - SHOWER GRAB RAILS

Product Code - Finish

- CF 711 PS LH - Polish Supreme™

Features

- 760 mm x 1000 mm x 1100 mm
- 78 mm pre-formed domed CLAM FLANGE®
- Clam plate is fully welded to 32 mm rail for maximum strength
- Clam flange cover is a firm press fit to clam plate
- Fabricated from 304 stainless steel
- Inside of grab rail has been cleaned and free of unsanitary oil and dirt produced through fabrication processes
- Stainless steel fixing screws supplied

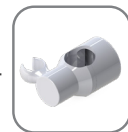
Optional Extras



- SD 032



- HC 024

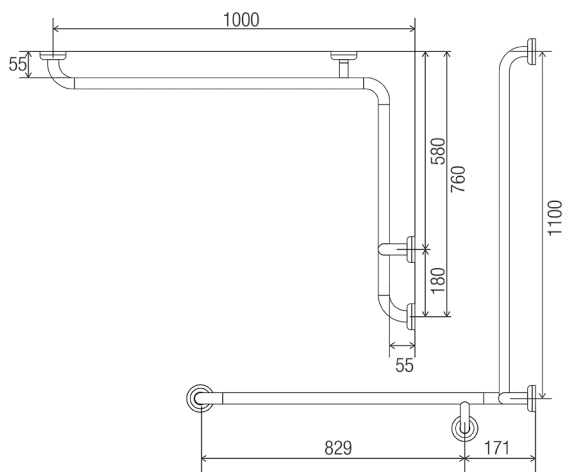


- HC 932

Warranty

See Tubotech™ warranty policy for full details.

DIMENSIONS



Drawn RH (Right Hand)

INDICATIVE IMAGE



CLAM FLANGE® - SHOWER GRAB RAILS

Product Code - Finish

- CF 711 PS RH - Polish Supreme™

Features

- 760 mm x 1000 mm x 1100 mm
- 78 mm pre-formed domed CLAM FLANGE®
- Clam plate is fully welded to 32 mm rail for maximum strength
- Clam flange cover is a firm press fit to clam plate
- Fabricated from 304 stainless steel
- Inside of grab rail has been cleaned and free of unsanitary oil and dirt produced through fabrication processes
- Stainless steel fixing screws supplied

Optional Extras



- SD 032



- HC 024



- HC 932

Warranty

See Tubotech™ warranty policy for full details.