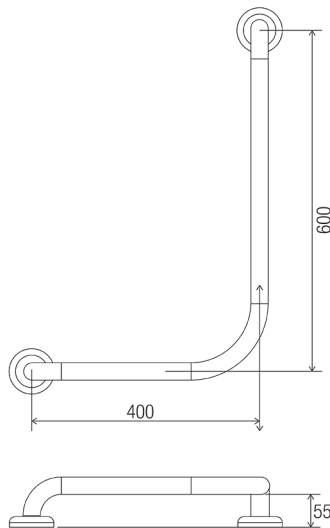
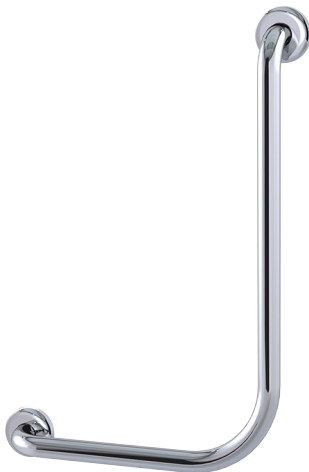


DIMENSIONS



Drawn LH (Left Hand)

INDICATIVE IMAGE



CLAM FLANGE® - TOILET GRAB RAILS

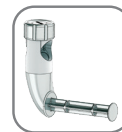
Product Code - Finish

- CF 046 PS LH - Polish Supreme™

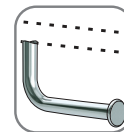
Features

- 400 mm x 600 mm
- 78 mm pre-formed domed CLAM FLANGE®
- Clam plate is fully welded to 32 mm rail for maximum strength
- Clam flange cover is a firm press fit to clam plate
- Fabricated from 304 stainless steel
- Inside of grab rail has been cleaned and free of unsanitary oil and dirt produced through fabrication processes
- Stainless steel fixing screws supplied

Optional Extras - Toilet Roll Holder



- TR 031



- TR 031 S
Factory Fitted

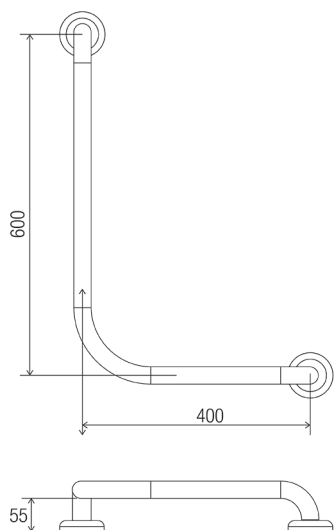
Warranty

See Tubotech™ warranty policy for full details.

TUBOTECH™ PLUMBING PRODUCTS PHILIPPINES

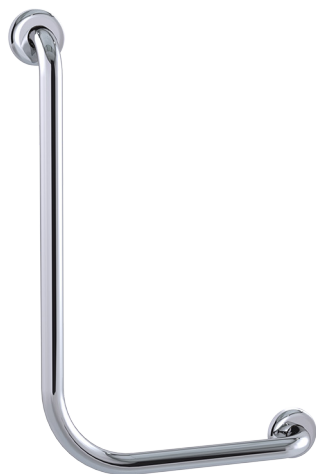
Block 1 Lot 2 Solid Street, Laguna International Industrial Park
(LIIP) Mamplasan, Binan, Laguna, Philippines 4024
Phone: +63 (0)49 539 0427 | www.tubotech.com.ph

DIMENSIONS



Drawn RH (Right Hand)

INDICATIVE IMAGE



CLAM FLANGE® - TOILET GRAB RAILS

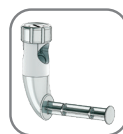
Product Code - Finish

- CF 046 PS RH - Polish Supreme™

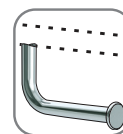
Features

- 400 mm x 600 mm
- 78 mm pre-formed domed CLAM FLANGE®
- Clam plate is fully welded to 32 mm rail for maximum strength
- Clam flange cover is a firm press fit to clam plate
- Fabricated from 304 stainless steel
- Inside of grab rail has been cleaned and free of unsanitary oil and dirt produced through fabrication processes
- Stainless steel fixing screws supplied

Optional Extras - Toilet Roll Holder



- TR 031



- TR 031 S
Factory Fitted

Warranty

See Tubotech™ warranty policy for full details.