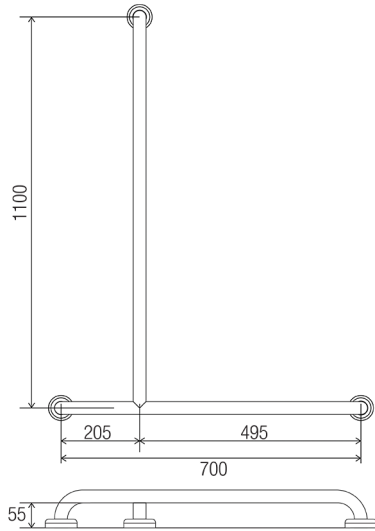
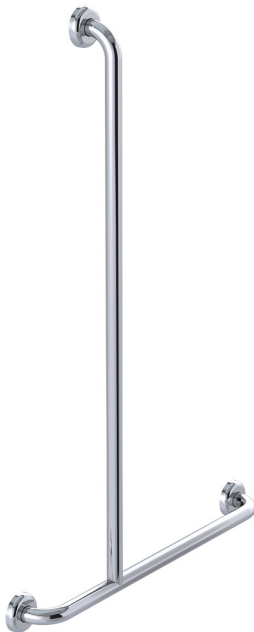


**DIMENSIONS**



Drawn LH (Left Hand)

**INDICATIVE IMAGE**



**CLAM FLANGE® - SHOWER GRAB RAILS**

**Product Code - Finish**

- CF 071 PS LH - Polish Supreme™

**Features**

- 700 mm x 1100 inverted "T" grab rail
- 78 mm pre-formed domed CLAM FLANGE®
- Clam plate is fully welded to 32 mm rail for maximum strength
- Clam flange cover is a firm press fit to clam plate
- Fabricated from 304 stainless steel
- Inside of grab rail has been cleaned and free of unsanitary oil and dirt produced through fabrication processes
- Stainless steel fixing screws supplied

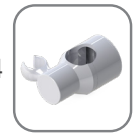
**Optional Extras**



- SD 032



- HC 024



- HC 932

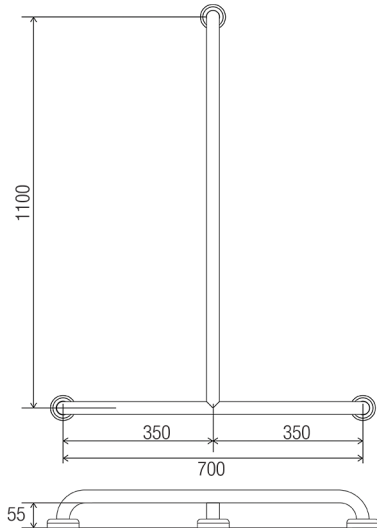
**Warranty**

See Tubotech™ warranty policy for full details.

**TUBOTECH™ PLUMBING PRODUCTS PHILIPPINES**

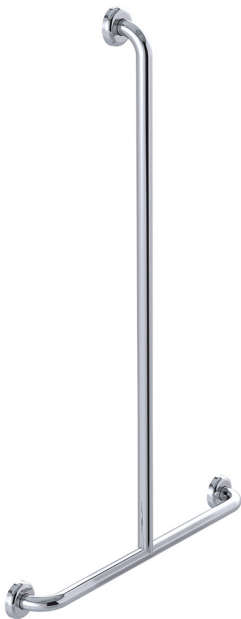
Block 1 Lot 2 Solid Street, Laguna International Industrial Park  
(LIIP) Mamplasan, Binan, Laguna, Philippines 4024  
Phone: +63 (0)49 539 0427 | www.tubotech.com.ph

**DIMENSIONS**



Drawn MF (Middle Fix)

**INDICATIVE IMAGE**



**CLAM FLANGE® - SHOWER GRAB RAILS**

**Product Code - Finish**

- CF 071 PS MF - Polish Supreme™

**Features**

- 700 mm x 1100 inverted “T” grab rail
- 78 mm pre-formed domed CLAM FLANGE®
- Clam plate is fully welded to 32 mm rail for maximum strength
- Clam flange cover is a firm press fit to clam plate
- Fabricated from 304 stainless steel
- Inside of grab rail has been cleaned and free of unsanitary oil and dirt produced through fabrication processes
- Stainless steel fixing screws supplied

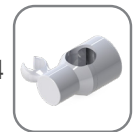
**Optional Extras**



- SD 032



- HC 024

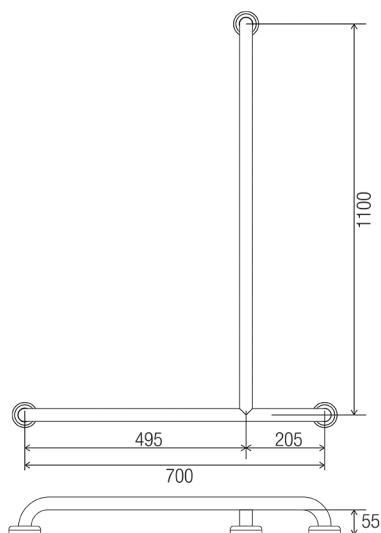


- HC 932

**Warranty**

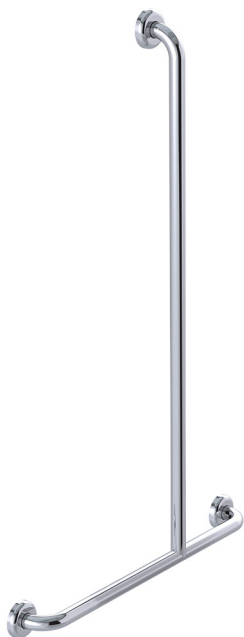
See Tubotech™ warranty policy for full details.

**DIMENSIONS**



Drawn RH (Right Hand)

**INDICATIVE IMAGE**



**CLAM FLANGE® - SHOWER GRAB RAILS**

**Product Code - Finish**

- CF 071 PS RH - Polish Supreme™

**Features**

- 700 mm x 1100 inverted “T” grab rail
- 78 mm pre-formed domed CLAM FLANGE®
- Clam plate is fully welded to 32 mm rail for maximum strength
- Clam flange cover is a firm press fit to clam plate
- Fabricated from 304 stainless steel
- Inside of grab rail has been cleaned and free of unsanitary oil and dirt produced through fabrication processes
- Stainless steel fixing screws supplied

**Optional Extras**



- SD 032



- HC 024



- HC 932

**Warranty**

See Tubotech™ warranty policy for full details.

**TUBOTECH™ PLUMBING PRODUCTS PHILIPPINES**

Block 1 Lot 2 Solid Street, Laguna International Industrial Park  
(LIIP) Mamplasan, Binan, Laguna, Philippines 4024  
Phone: +63 (0)49 539 0427 | www.tubotech.com.ph