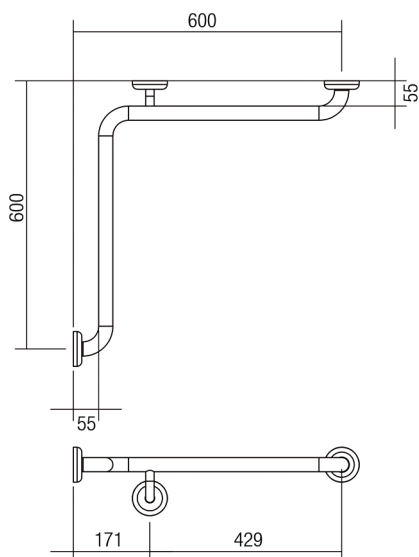


**DIMENSIONS**



Drawn LH (Left Hand)

**INDICATIVE IMAGE**



**CLAM FLANGE® - CORNER GRAB RAILS**

**Product Code - Finish**

- CF 660 PS LH - Polish Supreme™

**Note: This product is made to order and non-returnable**

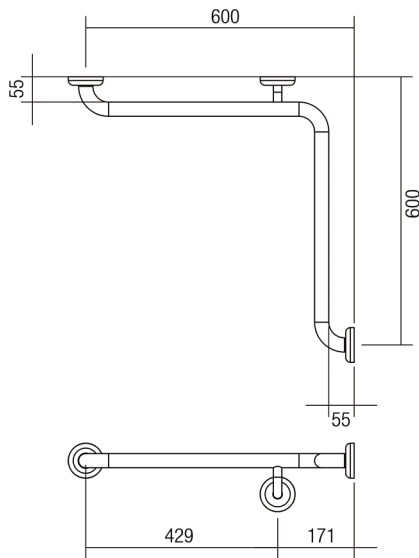
**Features**

- 600 mm x 600 mm
- 78 mm pre-formed domed CLAM FLANGE®
- Clam plate is fully welded to 32 mm rail for maximum strength
- Clam flange cover is a firm press fit to clam plate
- Fabricated from 304 stainless steel
- Inside of grab rail has been cleaned and free of unsanitary oil and dirt produced through fabrication processes
- Stainless steel fixing screws supplied

**Warranty**

**See Tubotech™ warranty policy for full details.**

DIMENSIONS



Drawn RH (Right Hand)

INDICATIVE IMAGE



**CLAM FLANGE® - CORNER GRAB RAILS**

**Product Code - Finish**

- CF 660 PS RH - Polish Supreme™

**Note: This product is made to order and non-returnable**

**Features**

- 600 mm x 600 mm
- 78 mm pre-formed domed CLAM FLANGE®
- Clam plate is fully welded to 32 mm rail for maximum strength
- Clam flange cover is a firm press fit to clam plate
- Fabricated from 304 stainless steel
- Inside of grab rail has been cleaned and free of unsanitary oil and dirt produced through fabrication processes
- Stainless steel fixing screws supplied

**Warranty**

**See Tubotech™ warranty policy for full details.**