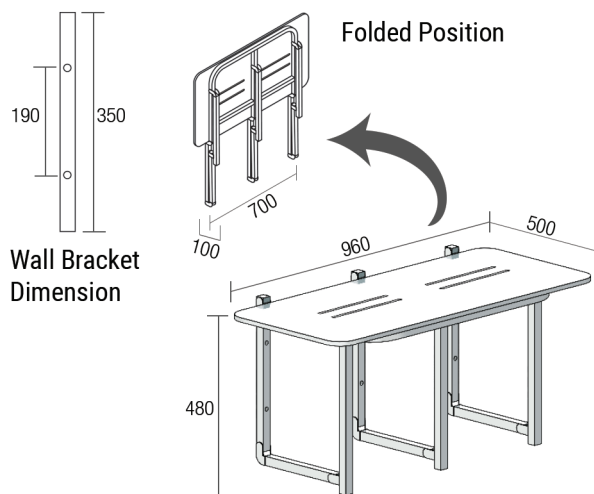


DIMENSIONS



Bariatric seat - Designed for heavier loads

INDICATIVE IMAGE



BARIATRIC SHOWER SEAT

Product Code - Finish

- SS 965 SS - Satin Supreme™

Features

- 960 mm x 500 mm x 480 mm folding shower seat
- Reinforced for bariatric requirements
- Maximum load 200 Kg
- Mount seat deck 470 mm to 480 mm above finished floor level
- Fabricated from 304 stainless steel
- Polar White slip resistant UV stabilised HDPE rounded edge seat deck with self-draining channels
- Stainless steel fixings screws supplied
- Satin Supreme™ finish

Warranty

See Tubotech™ warranty policy for full details.