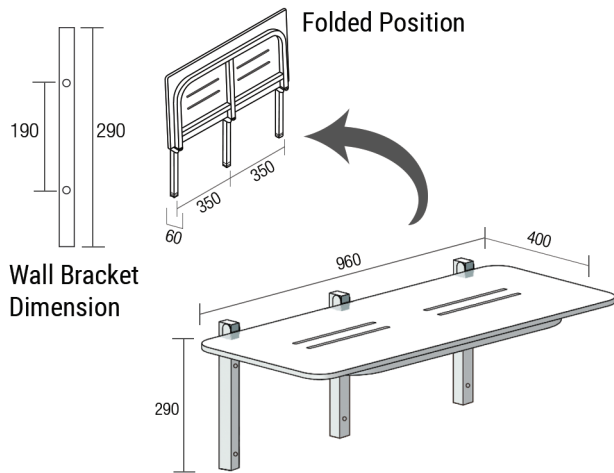


**DIMENSIONS**



Wall Bracket  
Dimension

**Must be fitted to a solid wall or other firm surface**

**INDICATIVE IMAGE**



**TRANSFER SHOWER SEAT**

**Product Code - Finish**

- SS 964 SS WM - Satin Supreme™

**Features**

- 960 mm x 400 mm x 480 mm folding shower seat
- Ideal for transfer between wheelchair and shower seat
- Must be fixed to a solid wall or stud wall construction
- Maximum load 160 Kg
- Mount seat deck 470 mm to 480 mm above finished floor level
- Fabricated from 304 stainless steel
- Polar White slip resistant UV stabilised HDPE rounded edge seat deck with self-draining channels
- Stainless steel fixing screws supplied
- Satin Supreme™ finish

**Warranty**

**See Tubotech™ warranty policy for full details.**