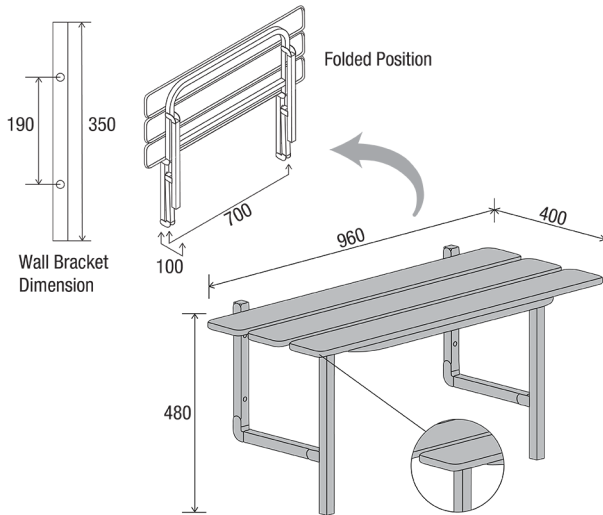


DIMENSIONS



Rounded stainless steel safety edge

SLATTED SHOWER SEAT

Product Code - Finish

- SS 964 SS ME - Satin Supreme™

Features

- 960 mm x 400 mm x 480 mm folding shower seat
- Maximum load 160 Kg
- Mount seat deck 470 mm to 480 mm above finished floor level
- Fabricated from 304 stainless steel
- Rounded safety edge slatted seat deck
- Stainless steel fixings screws supplied
- Satin Supreme™ finish

Warranty

See Tubotech™ warranty policy for full details.

INDICATIVE IMAGE

