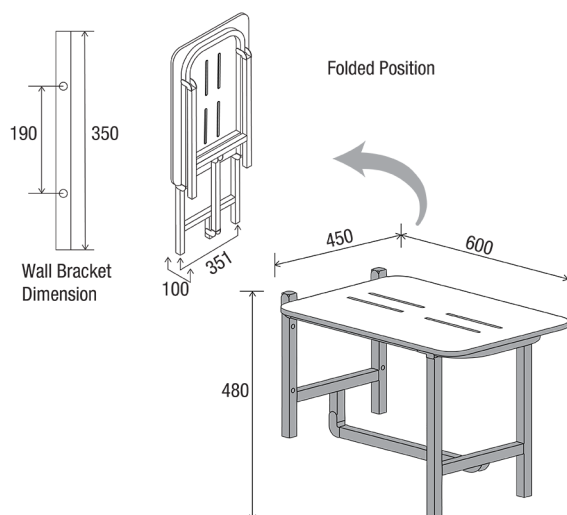


DIMENSIONS



Seat lifts side ways to wall
Patent Number: 2008100882

SIDE LIFT SHOWER SEAT

Product Code - Finish

- SS 645 SS - Satin Supreme™

Features

- FOR AREAS NOT STRICTLY DISABLED
- 450 mm x 600 mm x 480 mm folding shower seat
- Side lift option for limited wall space applications
- Maximum load 160 Kg
- Mount seat deck 470 mm to 480 mm above finished floor level
- Fabricated from 304 stainless steel
- Polar White slip resistant UV stabilised HDPE rounded edge seat deck with self-draining channels
- Stainless steel fixing screws supplied
- Satin Supreme™ finish
- Patent Number 2008100882

Warranty

See Tubotech™ warranty policy for full details.

INDICATIVE IMAGE

