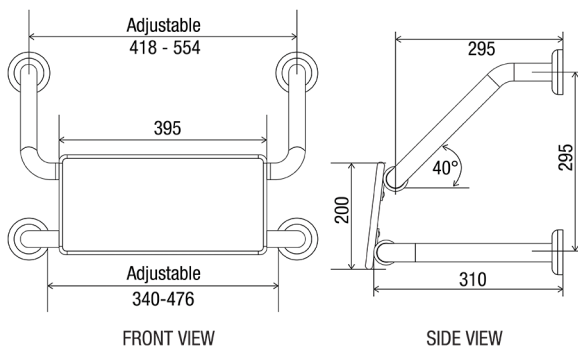


DIMENSIONS



PWD BACKREST

Product Code - Finish

- BR 400 PS CF - Polish Supreme™

Features

- WC support device for disabled, aged and the infirmed
- Suits single PWD cubicle with either conventional or wall faced pans
- Suits combined PWD compartment featuring WC and shower recess grab rail
- Polar White UV stabilised HDPE rounded edge back support
- 78 mm pre-formed domed CLAM® flange
- Fabricated from 32mm 304 stainless steel
- Stainless steel fixing screws supplied
- Polish Supreme™ finish
- Patent Number 2010101409

Warranty

See Tubotech™ warranty policy for full details.

INDICATIVE IMAGE

